



BRITISH HOT TUBS

**INSTALL PREPARATION &
ELECTRICAL GUIDE**



TABLE OF CONTENTS

4-5	Base Preparation
6-9	Access
10-11	Electrical Requirements
12-14	Considerations
15	Heat Pumps



Congratulations on choosing a hot tub from our *proudly designed in the UK* British Hot Tubs range.

Our range is especially adapted for the variable British climate and offers excellent energy efficiency, performance, innovation and beautiful designs - ultimately enabling you to enjoy your hot tub experience without worrying about high electrical costs and tedious water management.

OUR COMMITMENT TO YOU

We are passionate about hydrotherapy and the life-changing benefits of owning a hot tub. We are dedicated to making a difference in how your body heals, how you interact with loved ones and ensuring that we make a lasting impact in your life by providing the best quality product - a hot tub to be proud of.



BASE PREPARATION

Hot Tub Base

Your new hot tub will need a firm, level base to be positioned on concrete, patio, and a well-supported decking area are common examples. The ground should be as level as possible, but a small difference in level for water drainage is acceptable.

How thick does the base need to be?

The necessary thickness would vary depending on the softness of the area it is being positioned on. A minimum of 10cm/4" would be needed, but a more substantial base may be needed if the ground is soft. The weight of hot tubs including water will likely exceed 1000-1500kg, so the base would need to be strong enough to support this weight.

How big should the base be?

The base should be at least the footprint size of the hot tub itself. It does not necessarily need to be any bigger than the footprint of the hot tub, but if you plan to use steps or install a gazebo over the hot tub, don't forget to take this into consideration also.

Can the level of the hot tub be adjusted?

No, the hot tub level cannot be adjusted. The whole of the bottom of the hot tub needs to be in contact with the base to ensure it is fully supported, so adjusting the level with blocks or 'feet' is not recommended. It is important that the base is flat and level to ensure the hot tub is properly supported.



Can I put my hot tub on the gravel or lawn?

Neither of these options would be suitable for a hot tub, as the weight of the hot tub and water will likely cause the hot tub to move/sink over time. This could cause damage to the hot tub. Interlocking mats can be used.

Can I put my hot tub on an existing patio?

Yes, an existing patio can be acceptable, providing this has a suitable sub-base and is flat and level. If there is a slight gradient on the patio for rainwater to run off, this is ok - you may just notice a difference in the level of the water in the hot tub.

Positioning Of The Hot Tub

The final location for your hot tub is personal preference and can be discussed with your installers on the day of installation to get the positioning just right. If you are having a cover lifter installed to your hot tub, at least 460mm would be needed at the back, and 150mm either side to allow this to open without obstruction. Access may be required around the hot tub for maintenance, it is recommended to leave at least 500mm clearance around the hot tub for access to all panels, or provisions for this access to be created should it be needed. This is particularly important if you are sinking your hot tub.



WE CAN DO THAT!

We work closely with professional landscaping teams and can provide all the information and guidance you need if you are considering sinking or semi-sinking your hot tub or swim spa. For further advice and requirements, please contact our team.

ACCESS

Usually, your hot tub will be transported into your garden **on its side**, using a 'Spa Dolly' or 'Spa Sled'. An additional 6cm width, and 20cm height would be needed on top of the spa measurements to allow for the hot tub to be transported into your garden safely without damage.

Please take into consideration guttering, drain/soil pipes, outdoor taps, gas meter boxes, etc. when measuring, and ensure that there are no tight turns that would need to be maneuvered around.



Narrow Access?

Where access is too narrow, we have a number of solutions such as crane lift to get your new hot tub into your desired location. If you believe you may have issues with access, please get in touch with our Service Team who will be able to help organise a crane survey and lift for you if needed.

Please note, the cost of a crane lift is not included within the delivery and installation charge and is paid direct to the crane hire company on the day of installation.





ACCESS

Can the hot tub be transported up or down steps?

It is possible that a hot tub can be transported up or down garden steps, but please check with our customer care team and send photos to make sure we are fully prepared and there are no issues on the day of installation.

My fence needs to be removed, can you do this?

If your fence panels are the type that lifts in and out, our team will be able to help with this on the day. We cannot accept any liability for damage to the fencing though unfortunately. If more substantial work is needed to get access, such as removing fixed fencing or gate posts, this would need to be completed before our team's arrival.

Are crane costs included in the installation price?

The cost of the crane is separate to the delivery and installation charge, and would be paid directly to the chosen crane company.

Can the hot tub be lifted over a wall?

Hot tubs weigh in excess of 300kg, so cannot be carried or lifted manually. The equipment that we use can transport the hot tub over small steps, but if it needs to go over a fence or wall, the crane/HI-AB would be needed.

I have less than the requested 6cm additional width, do I need a crane?

If the entrance width is less than 6cm more than the width of the hot tub when on its side, it increases the risk of damage to your hot tub as it is being installed. If you have between 2-6cm additional width, please discuss with our team and we will be able to advise if installation without a crane is possible.



Should I send photos of the access to install my hot tub?

Yes please! Photos can be sent to service@a5spas.co.uk

WE CAN HELP

Our install team offer a no obligation hot tub home survey. When taking advantage of this service you'll be able to discuss access, installation and any other questions you have.

HOT TUB ACCESS WIDTH GUIDE

HOT TUB MODEL	ACCESS WIDTH NEEDED	ACCESS HEIGHT NEEDED	HOT TUB SERIES
Jubilee	86 cm	200 cm	EcoSpa
Grayling	86 cm	160 cm	EcoSpa
Monarch	86 cm	210 cm	EcoSpa
Admiral	86 cm	210 cm	EcoSpa
Viceroy	86 cm	212 cm	EcoSpa
Commodore	98 cm	227 cm	EcoSpa
Emperor	98 cm	227 cm	EcoSpa
Imperial	98 cm	250 cm	EcoSpa
Duke	98 cm	250 cm	EcoSpa
Tranquil	86 cm	160 cm	Patio
Oasis	86 cm	210 cm	Patio
Serenity	86 cm	210 cm	Patio
Harmony	86 cm	210 cm	Patio
Mercury	92 cm	170 cm	Prime
Westwood	92 cm	197 cm	Prime
Winston	98 cm	233 cm	Prime
Shakespeare	92 cm	215 cm	Prime
Spencer	92 cm	215 cm	Prime
Windsor	101 cm	227 cm	Premium
Balmoral	101 cm	227 cm	Premium
Sterling	101 cm	254 cm	Premium
Empire	101 cm	254 cm	Premium
Union	101 cm	254 cm	Premium
Windsor Curve	125.5 cm	227 cm	Curve
Balmoral Curve	125.5 cm	227 cm	Curve
Sterling Curve	125.5 cm	254 cm	Curve
Empire Curve	125.5 cm	254 cm	Curve
Britannia Curve*	240 cm	139.5 cm	Curve
Buckingham Curve*	240 cm	139.5 cm	Curve



*Please Note: Most spas are delivered on their side for easier access. However, due to their size and weight, the Britannia Curve and Buckingham Curve models must be delivered flat. Please speak to our team if you have any questions regarding access or delivery requirements.

ELECTRICAL REQUIREMENTS

13 AMP ELECTRICAL REQUIREMENTS

Some of our EcoSpa Models come factory fitted with a standard 3-pin UK plug, along with 4m of cable. You will need to have a suitable RCD protected socket within this distance of the hot tub.

16 AMP ELECTRICAL REQUIREMENTS

Our Prime Hot Tub range can be operated on a 16amp supply, rather than a dedicated 32amp circuit. This means that your electrician can spur off from an existing circuit, often saving costs.

A suitable 16amp switch or isolator would need to be situated in close range of the hot tub, with adequate cable left from the isolator ready for our installation team to connect.

The hot tub does not come with any cable, so would need to be provided on the day of installation.

Please note, using a 16amp supply to power the Patio range of hot tubs would mean that the heater would turn off when the high-speed pumps are in operation. If a 32amp supply is used to power the hot tub, the heater and pumps will both be able to operate together.

32 AMP ELECTRICAL REQUIREMENTS

All hot tubs in our Prime and Premium range require a 32-amp supply. It is also possible for our Patio range to be supplied by a 32-amp circuit if preferred.

The electrical supply for your new hot tub will need to be installed by a qualified electrician. This must be a dedicated supply, and not include anything else on the circuit. The circuit will need to be protected by a Residual Current Device (RCD).

For 32amp hot tubs, the circuit must include a suitable isolator situated in close range of the hot tub, with adequate cable left from the isolator ready for our installation team to connect. A 32amp rotary isolator, or Commando socket and plug are options that could be used as your isolator.



HOT TUB MODEL	ELECTRICAL SUPPLY NEEDED	CABLE & PLUG INCLUDED?
Jubilee	13 / 16 / 32 AMP	Yes
Grayling	13 / 16 / 32 AMP	Yes
Monarch	13 / 16 / 32 AMP	Yes
Admiral	13 / 16 / 32 AMP	Yes
Viceroy	13 / 16 / 32 AMP	Yes
Commodore	32 AMP	No
Emperor	32 AMP	No
Imperial	32 AMP	No
Duke	32 AMP	No
Tranquil	16 / 32 AMP	No
Oasis	16 / 32 AMP	No
Serenity	16 / 32 AMP	No
Harmony	16 / 32 AMP	No
Mercury	16 / 32 AMP	No
Westwood	16 / 32 AMP	No
Winston	16 / 32 AMP	No
Shakespeare	16 / 32 AMP	No
Spencer	16 / 32 AMP	No
Windsor	32 AMP	No
Balmoral	32 AMP	No
Sterling	32 AMP	No
Empire	32 AMP	No
Union	32 AMP	No
Windsor Curve	32 AMP	No
Balmoral Curve	32 AMP	No
Sterling Curve	32 AMP	No
Empire Curve	32 AMP	No
Britannia Curve*	32 AMP	No
Buckingham Curve*	32 AMP	No



The type and size of the cable used will vary depending on the installation. The length of the cable needed, and how the cable gets from the fuse board to your hot tub (buried, clipped to the wall, etc.) will affect this. Typically, SWA or SY cable can be used, however, a qualified electrician should decide on the type and size of cable used. It is advised that a coil of cable that is long enough to reach the furthest corner of the hot tub is left, so that the hot tub can be positioned in any orientation that is preferred.

What is the difference between 13/16amp and 32amp?

If connecting your hot tub to a 13 or 16amp supply, the installer will set your hot tub to a low amperage mode. This will mean that the heater and massage jets will not be able to run at the same time. When wired to a 13 or 16amp supply, as soon as jets are switched on to maximum speed, the heater will automatically switch off. This can result in the hot tub cooling quicker when using the hot tub, particularly in the colder months.

Does the hot tub come with cable?

Only the Plug and Play Eco Spa range will come with cable. All other models are hard-wired, meaning no cable comes with the hot tub. Your electrician would need to leave cable from your isolation point, ready for our team to connect to the hot tub

How much cable should my electrician leave?

We can always cut down the cable, but we can't extend it, so if in doubt it is best to leave a little extra. Leaving enough cable to reach from the isolator to the further point away from where the hot tub will be going will allow the hot tub to be positioned in your preferred location and orientation.

Do I need an electrician to be there on the day of installation?

As long as all connections have been made other than the one to the hot tub itself, an electrician being present is not essential on the day of installation. Some electricians may prefer to be on site during the installation.

Will using a 16amp supply use less electricity than 32amp?

No, the electricity costs will be roughly the same. The heat lost while using the hot tub when connected to a 16amp supply will need to be put back into the water when you are finished using the hot tub. The same amount of heat is needed if your hot tub is connected to a 32amp supply, it will just heat at the same time as being used.

Can I use an extension lead to power the hot tub?

No, extension leads should not be used for any hot tub. The cable is often much thinner than needed to power the hot tub for long periods, and are designed for short term use rather than provide a constant power source.

If I provide the cable, can you install it to my isolator?

We are only able to complete the connection into the hot tub. An electrician would need to connect the cable to the isolator.

Where does the cable go into the hot tub?

A small hole in one of the side panels or corner panels is usually made for the cable to enter the hot tub. The installer will position the hole in an area that allows the cable to be as hidden and neat as possible. The cable should not sit underneath the hot tub.

SINKING YOUR HOT TUB

You may wish to sink your hot tub or swim spa. Access and drainage must be considered when doing this. For maintenance, 500mm would be needed around the spa to be able to remove the panels and access the components. Provisions would need to be made to allow for this access.

There would need to be adequate drainage installed to ensure the recess does not fill with rainwater. This can be in the form of a soakaway and/or automatic submersible pump. It is essential that the drainage is suitable to avoid causing significant damage to your hot tub or swim spa.

PRIVACY

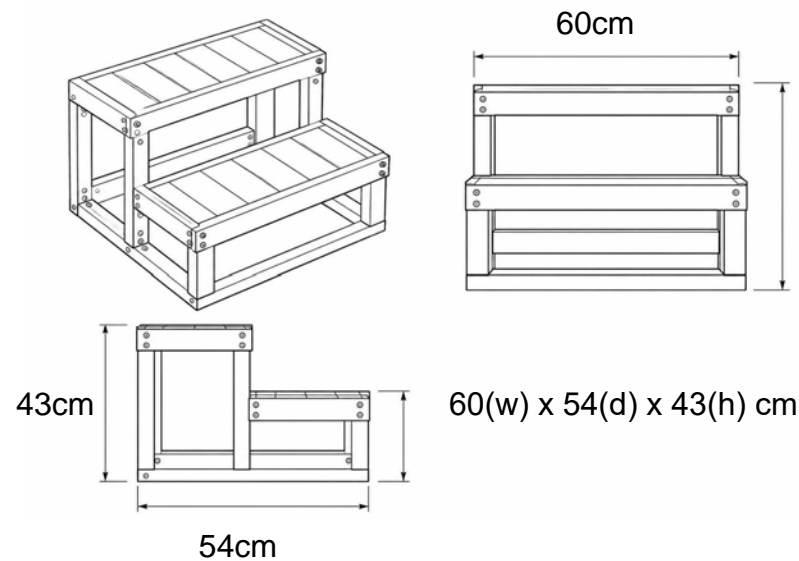
Consider your privacy when deciding where to locate your Hot Tub. You might even think about creating a covered corner by adding to your hot tub purchase a cabin, gazebo or cover.



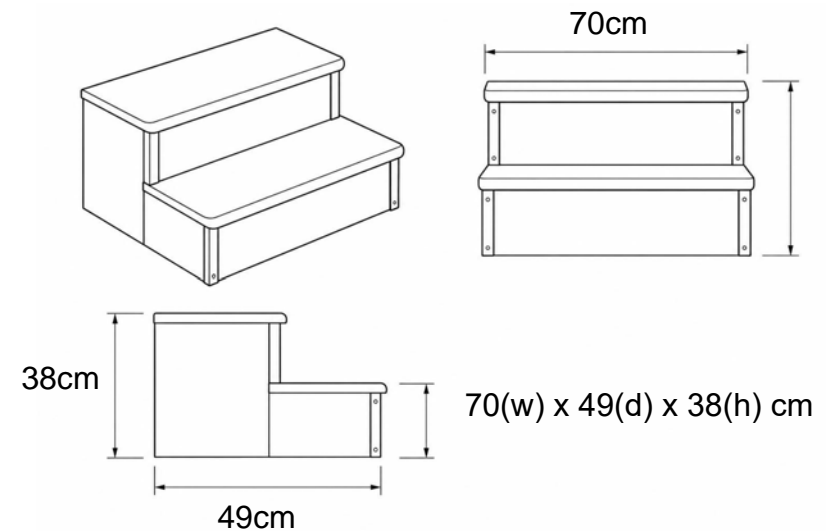
STEP POSITION

Don't forget to allow room for your hot tub steps. These will also need to sit on a firm, level base.

EcoSpa Steps



Patio, Prime & Premium Steps



FILLING YOUR HOT TUB

You will need a hosepipe and water supply to fill your new hot tub. If having your hot tub installed in the winter months, please ensure the hose and tap is not frozen.

Can I fill the hot tub with hot water?

Although possible, care should be taken when doing this. If the water temperature exceeds 40c in the hot tub, this can cause damage to the hot tub shell and components. Filling halfway with cold water before adding warm water will help ensure the temperature is not too high.

Do your installers carry a hosepipe with them to fill?

A hosepipe is an essential piece of equipment for hot tub owners, so it is not usually necessary for our installers to carry one with them. We recommend that you have a hosepipe so that you can fill the hot tub as required. If it is not possible for a hosepipe to be there on the day of install, please let us know and we can bring one along.

Heat pumps should be installed in close proximity to the hot tub or swim spa to ensure maximum efficiency, ideally within 1 metre. Heat pumps will require a flat, level base to be positioned on, and have 50cm of space around all 4 sides and top of the heat pump. An inlet and outlet pipe, along with a power cable, will be installed from the hot tub to the heat pump.

Do I need a separate power supply for my heat pump?

The recommended way to install a heat pump is by using your hot tub's heater output, meaning no additional supply is required. By disconnecting the standard heater that is installed in your hot tub and connecting the heat pump to this output, it allows 100% of the heat needed for your hot tub to be generated by the heat pump. This ensures maximum efficiency and minimum hassle.

Can I have my heat pump installed further than 1 metre away from the hot tub/swim spa?

This is possible, but the further away the heat pump is, the less efficient it will be. There may also be additional charges to install the additional pipework that would be needed. Please inform us if your heat pump needs to be installed over 1 metre away from the hot tub or swim spa.

Where does the pipework come out of the hot tub?

This varies from one installation to another, and will be discussed with you by our installer. Holes will be made in the best suited hot tub panel for the pipework to ensure as little pipework is visible as possible.

Can the pipework be boxed in?

Although we will install the pipework to your heat pump as neatly and discretely as possible, it is inevitable that some pipework will be visible. You can choose to box this in to make it as aesthetically appealing as possible after the heat pump has been installed. The heat pump itself should not be enclosed.

What side is the heat pump connected to? How is it connected?

We cut into the pump 1 or circulation pump pipework and add connections that feed the heat pump. There are 2 pipes – one from the hot tub to the heat pump, one from the heat pump to the hot tub. The location of where the pipes exit/enter the hot tub will vary from model and specific installation. The installers will hide as much pipework inside the hot tub/swim spa as possible, and will discuss exact location and orientation of the hot tub and heat pump on the day.

How do you control the heat pump?

With most installations, the heat pump controls are set to heat automatically. It is then possible to control the heat pump from the main hot tub or swim spa control panel. The heat pump will only power up when the hot tub calls for heat, and will shut down when up to temperature.



www.britishhottubs.co.uk